

IMMERSION™

LED Display Case Lighting

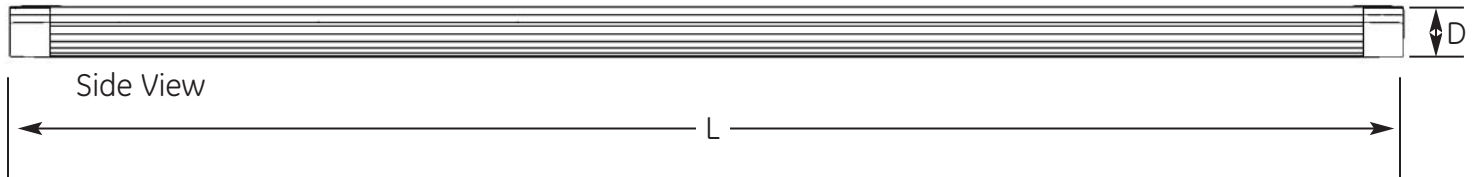
DC10 Series



LED Lights



Top View



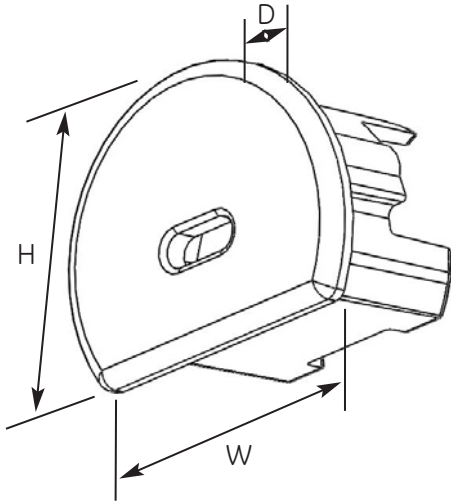
Side View

| PERFORMANCE DATA | | | | | | | | DIMENSIONAL DATA | | | |
|------------------|-------------|-------------|-----------------|--------------------------|------------|-------------------|---------------|------------------|---------------------------|-----------|-----------|
| Product Code | Description | Item | Color Temp (K)* | Illuminance (Ave. Lux)** | Life (Hrs) | Energy (Watts/Ft) | CRI (Typical) | Length (L) | Width (W) | Depth (D) | |
| 4200K | 74225 | GE-LB24/42K | 24" LED Light | 4200K | 1,500 | 50,000 | 9.3 | 70 | (inch) 22.2 (mm) 564 | 1.3 33 | 1.0 25 |
| | 74226 | GE-LB30/42K | 30" LED Light | 4200K | 1,500 | 50,000 | 9.2 | 70 | (inch) 28.2 (mm) 716 | 1.3 33 | 1.0 25 |
| | 74227 | GE-LB36/42K | 36" LED Light | 4200K | 1,500 | 50,000 | 9.1 | 70 | (inch) 34.2 (mm) 869 | 1.3 33 | 1.0 25 |
| | 74228 | GE-LB42/42K | 42" LED Light | 4200K | 1,500 | 50,000 | 9.0 | 70 | (inch) 40.2 (mm) 1,021 | 1.3 33 | 1.0 25 |
| | 74229 | GE-LB48/42K | 48" LED Light | 4200K | 1,500 | 50,000 | 9.0 | 70 | (inch) 46.2 (mm) 1,173 | 1.3 33 | 1.0 25 |
| | 74230 | GE-LB54/42K | 54" LED Light | 4200K | 1,500 | 50,000 | 8.9 | 70 | (inch) 52.2 (mm) 1,326 | 1.3 33 | 1.0 25 |
| | 74231 | GE-LB60/42K | 60" LED Light | 4200K | 1,500 | 50,000 | 8.9 | 70 | (inch) 58.2 (mm) 1,478 | 1.3 33 | 1.0 25 |
| | 74232 | GE-LB72/42K | 72" LED Light | 4200K | 1,500 | 50,000 | 8.9 | 70 | (inch) 70.2 (mm) 1,783 | 1.3 33 | 1.0 25 |
| 3500K | 74217 | GE-LB24/35K | 24" LED Light | 3500K | 1,500 | 50,000 | 9.3 | 70 | (inch) 22.2 (mm) 564 | 1.3 33 | 1.0 25 |
| | 74218 | GE-LB30/35K | 30" LED Light | 3500K | 1,500 | 50,000 | 9.2 | 70 | (inch) 28.2 (mm) 716 | 1.3 33 | 1.0 25 |
| | 74219 | GE-LB36/35K | 36" LED Light | 3500K | 1,500 | 50,000 | 9.1 | 70 | (inch) 34.2 (mm) 869 | 1.3 33 | 1.0 25 |
| | 74220 | GE-LB42/35K | 42" LED Light | 3500K | 1,500 | 50,000 | 9.0 | 70 | (inch) 40.2 (mm) 1,021 | 1.3 33 | 1.0 25 |
| | 74221 | GE-LB48/35K | 48" LED Light | 3500K | 1,500 | 50,000 | 9.0 | 70 | (inch) 46.2 (mm) 1,173 | 1.3 33 | 1.0 25 |
| | 74222 | GE-LB54/35K | 54" LED Light | 3500K | 1,500 | 50,000 | 8.9 | 70 | (inch) 52.2 (mm) 1,326 | 1.3 33 | 1.0 25 |
| | 74223 | GE-LB60/35K | 60" LED Light | 3500K | 1,500 | 50,000 | 8.9 | 70 | (inch) 58.2 (mm) 1,478 | 1.3 33 | 1.0 25 |
| | 74224 | GE-LB72/35K | 72" LED Light | 3500K | 1,500 | 50,000 | 8.9 | 70 | (inch) 70.2 (mm) 1,783 | 1.3 33 | 1.0 25 |

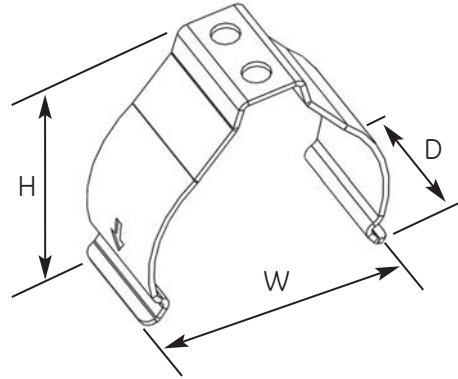
*Color temp (CCT) +/- 5%

**Average Lux on horizontal surface in 20" x 60" glass case with mirror back at 12 vertical inches from light source and with light source mounted 1" from front edge

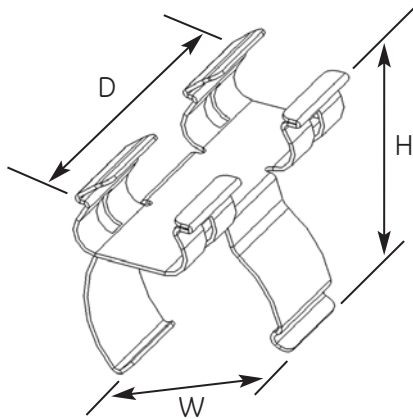
Accessories



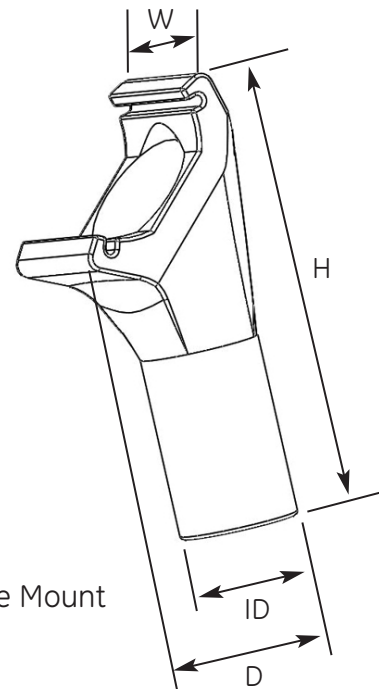
Finishing Cover



Standalone Mounting Clip



Integrated Mounting Clip

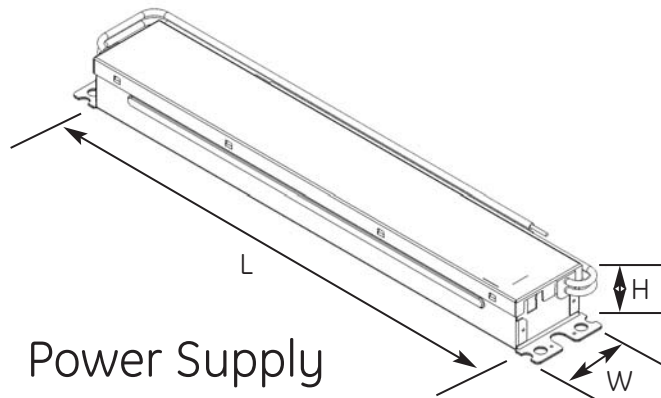


Drop Tube Mount

| DIMENSIONAL DATA | | | | | | |
|------------------|---------------|--------------------------|-----------------------|-----------|------------|----------------------|
| Product Code | Description | Item | Height (H) | Width (W) | Depth (D) | Inside Diameter (ID) |
| 74241 | LB-WIRE-END | Finishing Cover | (inch) 1.0 (mm) 25 | 1.3 33 | 0.1* 3* | — |
| 74243 | LB-CLIP | Standalone Mounting Clip | (inch) 1.3 (mm) 33 | 1.3 33 | 0.6 16 | — |
| 74244 | LB-EXT-CLIP | Integrated Mounting Clip | (inch) 1.7 (mm) 44 | 1.3 33 | 2.0 51 | — |
| 74245 | LB-TUBE-MOUNT | Drop Tube Mount | (inch) 2.7 (mm) 69 | 0.9 23 | 1.2 31 | 0.5 13 |

* Visible length when inserted into end cap

Power Supply



| | | | DIMENSIONAL DATA | | | |
|-------------------------------------------|-----------------|--------------|---------------------|---------|---------------------|-----------|
| Product Code | Description | Item | Height (H) | | Length (L) | Width (W) |
| 74601 | GE060/G/V12T1-A | Power Supply | (inch) | 1.2 | 9.5 | 1.7 |
| | | | (mm) | 30 | 240 | 43 |
| | | | PERFORMANCE DATA | | | |
| | | | Min | Typical | Max | |
| Input Voltage (VAC) | | | 90 | 120/230 | 264 | |
| Input Frequency (HZ) | | | - | 50/60 | - | |
| Input Current (A) | | | - | - | 0.85 | |
| Output Voltage (VDC) | | | 11.7 | - | 12.3 | |
| Output Current (ADC) | | | - | - | 5 | |
| Output Power (W) | | | - | - | 60 | |
| Environmental Operating Temperature Range | | | -40°C | +25°C | +60°C* | |
| Environmental Humidity (non-condensing) | | | 0% | - | 95% | |
| Environmental Storage Temperature Range | | | -40°C | - | +85°C | |
| Enclosure Specification | | | Damp Location Rated | | | |
| Power Supply Load | | | 24 inches (610 mm) | - | 96 inches (2438 mm) | |
| Remote Mounting Distance | | | - | - | 3 feet (0.91 m) | |

NOTE: Power supply loads exceeding maximum load will cause the power supply to shut down. Once the excess load is removed, cycle the input power to restart the power supply.

*Maximum case temperature is 90°C

Conforms to the following standards:



This device complies with Part 15 of the FCC Rules. Operation is subject to the following two conditions: (1) this device may not cause harmful interference, and (2) this device must accept any interference received, including interference that may cause undesired operation.

This Class [A] RFLD complies with the Canadian standard ICES-005. Ce DEFR de la classe [A] est conforme à la NMB-005 du Canada.

For additional product and application information, please consult GE's website: www.gelighting.com

Information provided is subject to change without notice. Please verify all details with GE. All values are design or typical values when measured under laboratory conditions, and GE makes no warranty or guarantee, express or implied, that such performance will be obtained under end-use conditions.