

Features:

- 1U Horizontal or 2U Vertical Form Factor
- Small size of only 10.20 x 3.39 x 1.59" / 259 x 86 x 40.5mm
- Hot swap - Fault Tolerant
- Active current Sharing
- Remote ON/OFF
- Extended temperature range
- UL, CSA, CE Certification
- EMI Level B



FEATURES	BENEFITS
High Density 12V Front-End	True front-end for mid power DPA applications
1U x 2U high form factor	Minimize space required for power needs
Load Sharing / Fault Redundant	Increased system reliability. Stress balancing.
Universal Input & Certifications	Reduced logistic costs
Retractable handle	Easy installation and maintenance

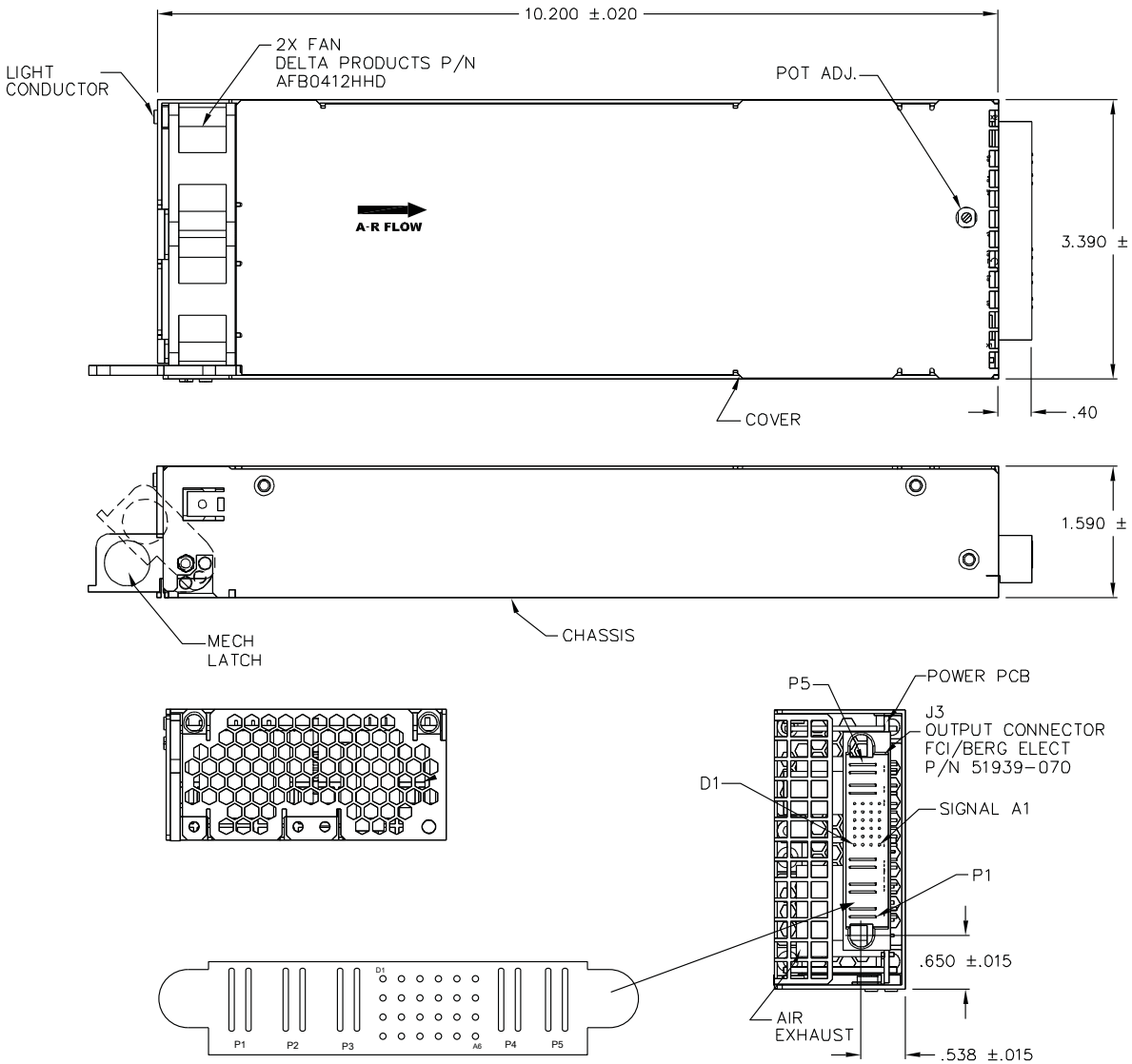
KEY MARKETS & APPLICATIONS

- Distributed power
- Network Storage
- Blade servers
- Mid-end servers
- Storage Area Networks
- Network equipment

SPECIFICATIONS	500 Watt +12V Front End Power Supply
Input Voltage Range	85-264 VAC, 47-63 Hz
Input Current Maximum	6.5A @ 90VAC, full Load
Inrush Current	20A max. peak (per ETS 300 132-1 and bellcore specifications)
Power Factor	0.99 typical complies with IEC555, EN60555-2, EN61000-3-2
Efficiency	82% typical (including ORing diode)
Output Power	500W
Output Voltage Range	+12VDC ($\pm 10\%$)
Output Current	41.67A @ 12VDC
Output Regulation	$\pm 2\%$ of Vnom for any combination of line, load and temperature effect
Output Ripple & Noise	Complies with ETS300 132-2, 32dBnc. Bandwidth: 25Hz - 20kHz. $\pm 1\%$ pk-pk with 0.1 μ F ceramic and 10 μ F electrolytic caps at the output
Transient Response	Overshoot 20mV max. Recovery time: 300 μ s @ 50% load step and di/dt < 1A/ μ s
Switching Frequency	100kHz input (200 kHz Output) Hold-up Time 16.7 msec typical
Remote on/off	Logic 1 (TTL High) or open enables unit (ON). Logic 0 (TTL Low) or short shuts unit down (OFF)
Current Limit Protection	110% - 130% of Iout nominal
Over Voltage Protection	14 - 15.5Vdc. Reset by recycling AC power or applying Remote ON/OFF
Operating Temperature	-20°C to +70°C. power derating above 55°C at 10W per °C (-40°C start-up)
Over Temperature Protection	Non latching; protection active at 110°C internal temperature, restart at 95°C (typical)
Cooling	Fan cooled front to back; variable speed
EMI	Class B (FCC and CISPR compliant) - EN55022 level B, CE marked
LED Indicators	LED: DC good (green)
Controls and Signals	Output voltage margining, Output current monitoring, Load sharing, Remote ON/OFF, DC fault, Over temperature protection
Shock & Vibration	IEC68-2-27, MIL-STD-810E
Isolation	Input to Ground: 1500VAC, Input to Output: 3000VAC
Dimensions	10.20 x 3.39 x 1.59" / 259 x 86 x 40.5mm
Weight	2.8 lbs / 1.28kg
Safety Approvals	UL/cUL/EN 60950, CE Mark (LVD)

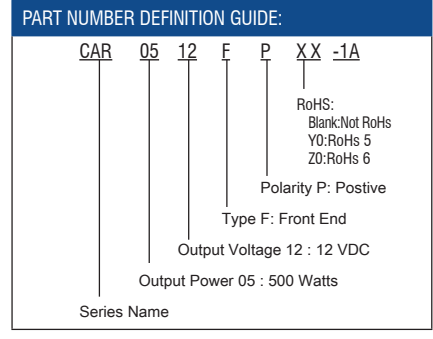
Specifications listed assume 25°C Ambient Operating Temperature and Full Load Operation unless otherwise specified. This product is qualified for use in OEM equipment and is not appropriate for stand-alone operation. The information contained within this specification is believed to be true and correct at the time of publication, however, Cherokee International accepts no responsibility for consequences arising from printing errors or inaccuracies. The information and specifications contained herein are subject to change without notice.

OUTLINE DRAWING



Pin Out Information (Connector FCI/Berg 51939-070, mates with 51915-050):

Power Blades		Signal Pins	
P1	AC LINE	A3	RETURN
P2	AC NEUTRAL	B2	I SENSE
P3	CHASSIS GROUND	B3	INHIBIT
P4	+12V	C1	I SHARE
P5	+12V RETURN	C3	OTP TEST POINT
		D1	N/C
		D2	OVP TEST POINT
		D3	ENABLE
		D4	DC FAULT



Specifications listed assume 25°C Ambient Operating Temperature and Full Load Operation unless otherwise specified. This product is qualified for use in OEM equipment and is not appropriate for stand-alone operation. The information contained within this specification is believed to be true and correct at the time of publication, however, Cherokee International accepts no responsibility for consequences arising from printing errors or inaccuracies. The information and specifications contained herein are subject to change without notice.