

Product Features

- PICMG 2.11 3U x 8HP Compliant Products
- Universal AC Input Models (90-264 VAC with Active PFC)
- 48 VDC Input Models (36 ~ 72 VDC Input Range)
- UL, CUL & TUV Safety Certifications
- Active Current share for Parallel Operation
- Hot-Swap / N+1 Redundant Operation



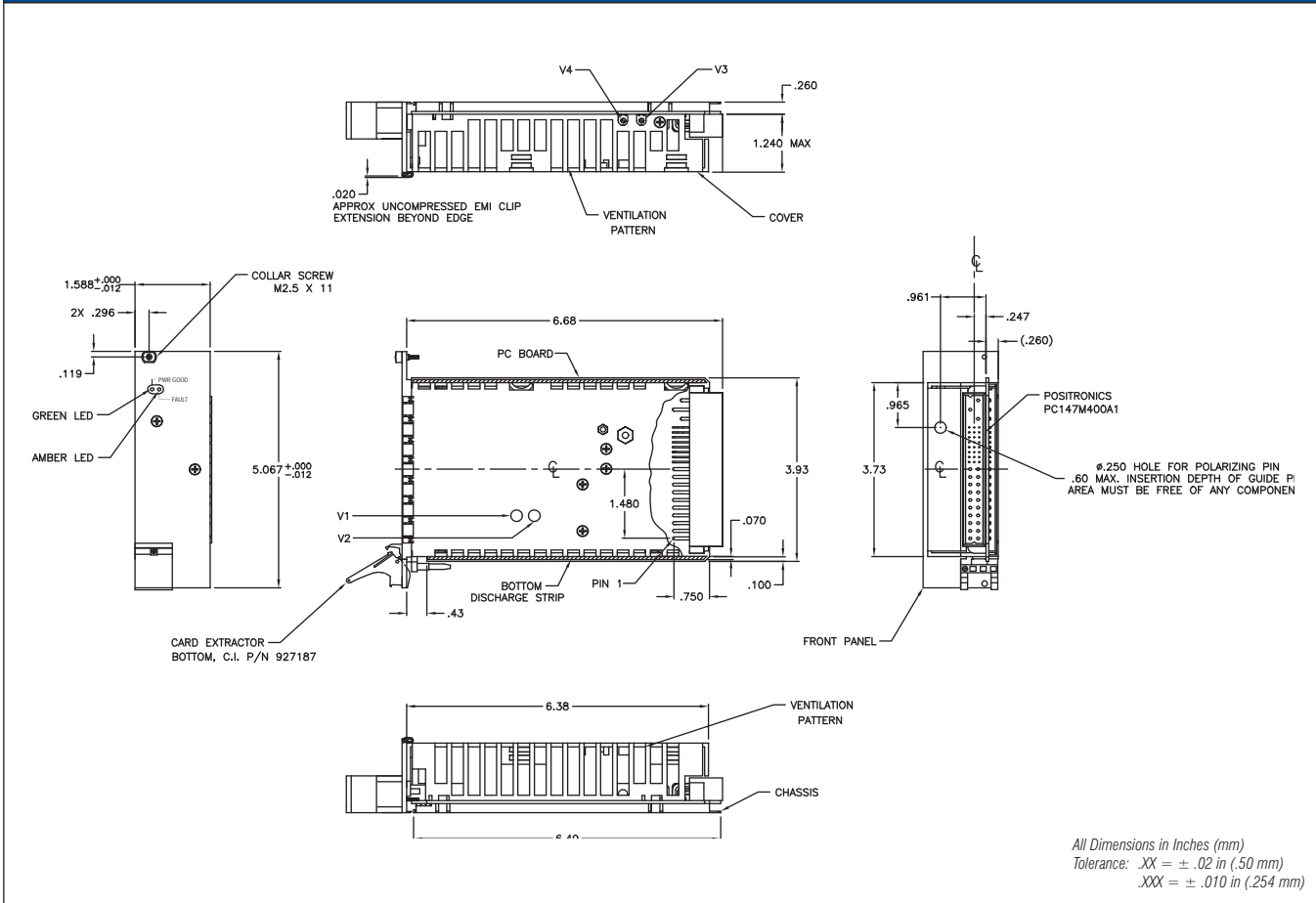
| FEATURES | BENEFITS |
|------------------------------------|--|
| No Minimum Load Required | Eliminates the need for preload on system backplane |
| Active Current Share | Increased M.T.B.F, Offers system scalability |
| Compact PCI 3U x 8 HP Package | Compatible with Industry Standard PICMG 2.11 Systems |
| Available in AC or DC Input Models | Single source for both versions |

| KEY MARKET SEGMENTS & APPLICATIONS | |
|------------------------------------|---------------------------|
| ■ Communications | ■ Industrial Applications |
| ■ Servers and Hubs | ■ Test Equipment |
| ■ Broadband Switches | ■ Medical Instrumentation |
| ■ Computer Peripherals | |

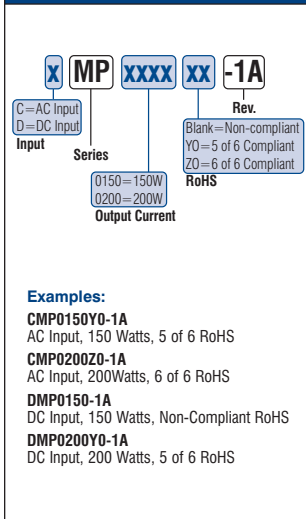
| SPECIFICATIONS | 150 & 200 Watt Compact PCI Switching Power Supplies With Universal AC or 48 VDC Input | | | |
|------------------------------|--|-------------|---------------------------------------|-------------|
| | CMP150 | CMP200 | DMP150 | DMP200 |
| Output Configuration | | | | |
| Input Range | Universal AC Input (90-264) with Active PFC | | 48 VDC Input (Ranging from 36~72 VDC) | |
| Power Factor | 0.99 Typical @ 230 VAC Operation | | - | |
| Inrush Current | 30A @ 120 VAC / 60A @ 240 VAC Cold Start, max. | | 40A max @ 48 VDC | |
| Efficiency | 70% typical at 110VAC, 74% typical at 220VAC (Full Load) | | 70% typical at 48VDC (Full Load) | |
| V1 Output | +5V @ 20A | +5V @ 25A | +5V @ 20A | +5V @ 25A |
| V2 Output | +3.3V @ 33A | +3.3V @ 35A | +3.3V @ 33A | +3.3V @ 35A |
| V3 Output | +12V @ 8A | +12V @ 8A | +12V @ 6A | +12V @ 8A |
| V4 Output | -12V @ 1.5A | -12V @ 1.5A | -12V @ 1.5A | -12V @ 1.5A |
| Maximum Output Power | 150 Watts | 200 Watts | 150 Watts | 200 Watts |
| Input Transient Protection | IEC 61000-4-5 level 3 (CMP Models), IEC 61000-4-5 level 2 (CMP Models) | | | |
| EMI | CISPR 22 class A / FCC part 15 class A | | | |
| Line Regulation | ±2% All Outputs (maximum) | | | |
| Load Regulation | ±2% All Outputs except V4 = ±3% (maximum) | | | |
| Output Ripple & Noise | 50mV or 1% pk-pk maximum, whichever is greater | | | |
| Overload Protection | Outputs are protected against overload and short circuit. Reset by cycling input power | | | |
| Over Voltage Protection | All outputs are set at 125-135% of nominal. Reset by cycling input power | | | |
| Operating Temperature | 0°C to 50°C at rated output power, derate 2.5% per °C up to 70°C | | | |
| Cooling | Requires 400 linear feet/minute for full power operation | | | |
| Output Power Derating Signal | TTL Low signal when power supply temperature is out of specified limit | | | |
| Remote Sense | On V1 & V2, Compensates for voltage drop of up to 0.3V | | | |
| Remote Enable | TTL High or Open = Power supply OFF, DRIVE Low to Enable | | | |
| Remote Inhibit | TTL High or Open = Power supply ON, DRIVE Low to Disable | | | |
| Current Share | V1 & V2 Outputs only, +/-10% accuracy | | | |
| Power Fail Signal | Signal goes low after input / output failure | | | |
| LED Indicators | Green LED indicates Power Good. Amber LED indicates Power Fail | | | |
| Shock & Vibration | MIL STD-810D | | | |
| Weight | 2.0 pounds | | | |
| Dimensions | 3U x 170 mm x 8HP (133 mm H x 170 mm L x 40 mm W) | | | |
| Safety Approvals | UL/cUL60950, CE Mark (LVD) TUV | | | |

Specifications listed assume 25°C Ambient Operating Temperature and Full Load Operation unless otherwise specified. This product is qualified for use in OEM equipment and is not appropriate for stand-alone operation. The information contained within this specification is believed to be true and correct at the time of publication, however, Cherokee International accepts no responsibility for consequences arising from printing errors or inaccuracies. The information and specifications contained herein are subject to change without notice.

OUTLINE DRAWING



PART NUMBER DEFINITION



PIN OUT INFORMATION

| PIN | PIN LENGTH | FUNCTION | DESCRIPTION | PIN | PIN LENGTH | FUNCTION | DESCRIPTION |
|-------|------------|----------|-------------------|-----|------------|----------|-------------------------|
| 1-4 | MEDIUM | V1 | V1 Output | 32 | MEDIUM | V2 ADJ | V2 Margining |
| 5-12 | MEDIUM | RTN | V1 & V2 Return | 33 | MEDIUM | V2 SENSE | Remote Sense (V2) |
| 13-18 | MEDIUM | V2 | V2 Output | 34 | MEDIUM | S RTN | Sense Return |
| 19 | MEDIUM | RTN | V3 Return | 35 | MEDIUM | V1 SHARE | Current Share (V1) |
| 20 | MEDIUM | V3 | V3 Output | 36 | MEDIUM | RESERVED | Not Used |
| 21 | MEDIUM | V4 | V4 Output | 37 | MEDIUM | RESERVED | Not Used |
| 22 | MEDIUM | RTN | Signal Return | 38 | MEDIUM | DEG | Temp. Derate Signal |
| 23 | MEDIUM | RESERVED | Not Used | 39 | MEDIUM | INH | Inhibit |
| 24 | MEDIUM | RTN | V4 Return | 40 | MEDIUM | RESERVED | Not Used |
| 25 | MEDIUM | RESERVED | Not Used | 41 | MEDIUM | V2 SHARE | Current Share (V2) |
| 26 | MEDIUM | RESERVED | Not Used | 42 | MEDIUM | FAIL | Power Fail |
| 27 | SHORT | EN | Enable | 43 | MEDIUM | RESERVED | Not Used |
| 28 | MEDIUM | RESERVED | Not Used | 44 | MEDIUM | RESERVED | Not Used |
| 29 | MEDIUM | V1 ADJ | V1 Margining | 45 | LONG | CGND | Chassis Ground |
| 30 | MEDIUM | V1 SENSE | Remote Sense (V1) | 46 | MEDIUM | ACN/+DC | AC Neutral or +DC Input |
| 31 | MEDIUM | RESERVED | Not Used | 47 | MEDIUM | ACL/-DC | AC Line or -DC Input |

Cherokee International reserves the right to make changes to the product(s) or information contained herein without notice. No liability is assumed as a result of their use or application. No rights under any patent accompany the sale of any such product(s) or information.

Cherokee Headquarters

2841 Dow Avenue
Tustin, CA 92780, USA
sales@cherokeepwr.com

P: 714.544.6665
F: 714.838.4742

Cherokee Europe

Boulevard de l'Europe, 131
B-1301 Wavre, Belgium
sales@cherokeepwr.be

P: +32.10.438.211
F: +32.10.438.212

Cherokee International China

1353 Chenqiao Road, Shanghai Fengpu Industrial Park
Shanghai 201401, China
sales.china@cherokeepwr.com

P: 8621.6710.8910
F: 8621.6710.8908

PowerTel India Pvt.

Unit #166, S.D.F.VI (Phase1)
Seepz, Andheri (East)
Mumbai, India 400096

Cherokee India Pvt. Ltd

Unit No. 95 SDF 111 Building
Seepz, Andheri (East)
Mumbai, India 400096